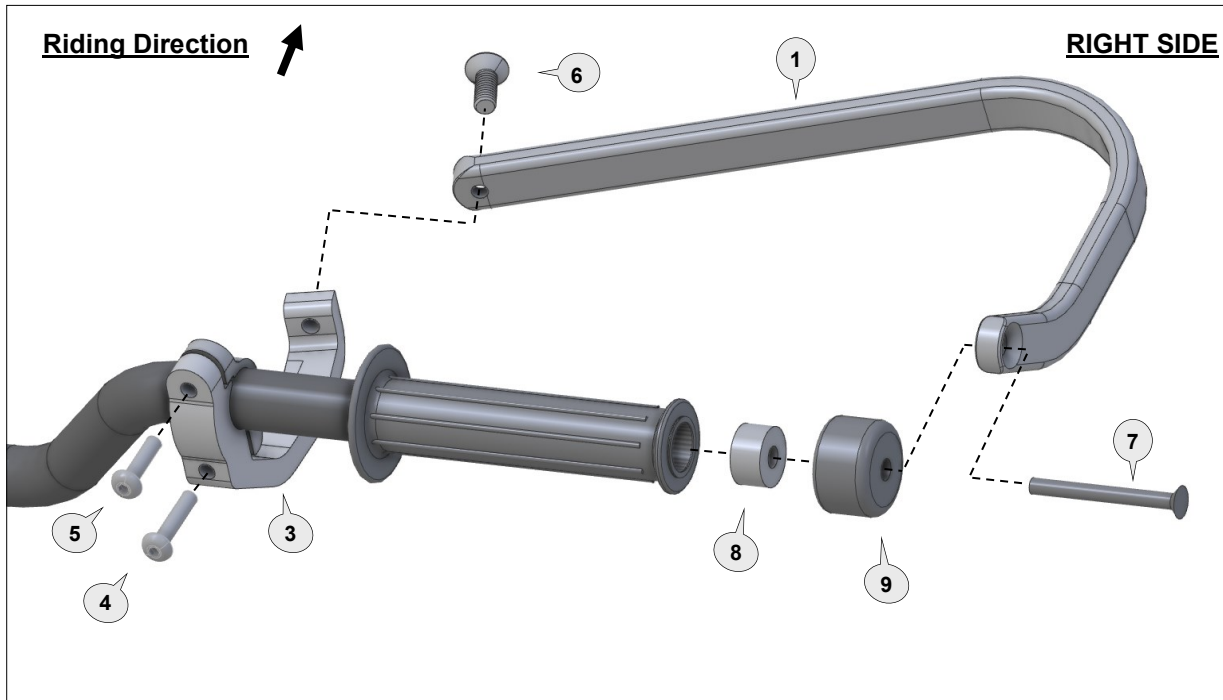




www.barkbusters.net

FITTING INSTRUCTIONS for...

- Honda CL500 (2023-)



Preparation

If OEM grips are installed, the end will need to be opened.

A video on how to do it can be found on Barkbusters.net or on the link below.

[Video - How to cut grips](#)

Fitting Procedure shown for the RIGHT side

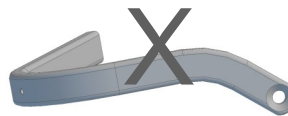
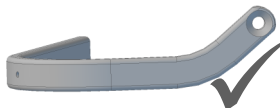
(repeat for Left side with applicable parts. Use spacer (10) instead of (8))

1. Loosely assemble clamp (3) to handlebar as per diagram.
2. Pre-assemble parts (7), (1), (9) and (8) and then present the assembly to the end of the handlebar, making sure the clamp (3) aligns with the end of the backbone (1).
3. Loosely tight screw (7) and (6). While making sure the assembly is in the right position,

Note: The preferred backbone position is horizontal when viewed from the side.

Tighten all bolts in the following order (7), (6), then (4 and 5).
Use recommended torque specifications over page.

Bar Side View



Personalise Your Protection

Guard options sold separately

JET	JET-003
VPS	VPS-003
Storm	STM-003
CARBON	BCF-003



INS-BHG-110-00-NP



Email: info@barkbusters.net
[@BARKBUSTERSHANDGUARDS](#)

1 Aluminium Bar




PN: BAR-BV-036
Pcs. 2 (L & R)

2 Clamp Frame & Saddle (left)



PN: CFS-ADV-L
Pcs. 1

3 Clamp Frame & Saddle (right)



PN: CFS-ADV-R
Pcs. 1

4 Button Head Bolt 30mm



PN: M6x30BHCSZP
Pcs. 2

5 Button Head Bolt 20mm



PN: M6x20BHCSZP
Pcs. 2

6 Flat Head Bolt 20mm



PN: M8x20FHCSZP
Pcs. 2

7 Flat Head Screw 60mm



PN: M6X60FHCSZP
Pcs. 2

8 Spacer (17mm) **RIGHT**



PN: SP17-20-8
Pcs. 1

9 Bar End Weight



PN: BEW35
Pcs. 2

10 Spacer (12mm) **LEFT**



PN: S7-SP12
Pcs. 1

Recommended Torque Settings	
M6	10 Nm (7.4 lbf ft)
M8	20 Nm (14.8 lbf ft)

CAUTION:

Installation of the handguard is safety-relevant work and can be complicated. We recommend the installation be performed by a motorcycle service technician. Rideworx accepts no liability for damages caused by improper mounting. All screws, bolts and nuts, including all replacement hardware provided by Rideworx, should be tightened to the torque specified in the table. After the first 50km of riding check all screws, bolts and nuts are tightened to the correct torque. We recommend a medium strength liquid thread lock product on all fasteners.

WARNING:

Check operation of all handlebar controls, specifically the throttle, front brake, kill switch and clutch to ensure they are operating correctly and are in accordance with the OEM specifications. Do not ride the motorcycle if any controls are not operating correctly or if rear view mirror vision is obscured. Check periodically that all bolts are tight.



Phone: +61 (0)2 4271 8244
Email: info@barkbusters.net
Web: www.barkbusters.net



Disclaimer:

A failure to follow these fitting instructions could cause serious injury, death or property damage. These handguards are intended solely for use with motorcycles/ATV/snowmobiles/scooters that have not been modified. They are not designed to prevent injury or death while riding or in an accident or crash. The user must ensure that all controls are free of the handguards every time that they ride. By installing and/or using this product you acknowledge that you accept these terms and have followed the fitting instructions.

ESEMPIO DI AGGANCIO DELLE PLASTICHE JET

