

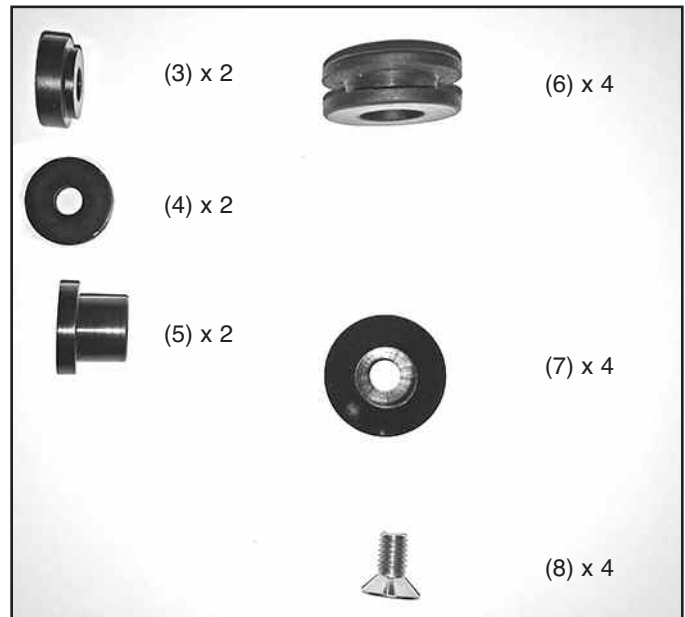
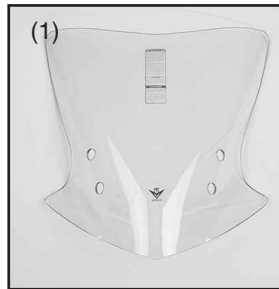
Thank you for purchasing a National Cycle product. Read these instructions carefully and thoroughly before beginning work. Dealers, if installing this windscreen for a customer, please give them this manual upon completion. It contains information needed to properly maintain and use this product.

Watch Installation Video on our YOUTUBE channel

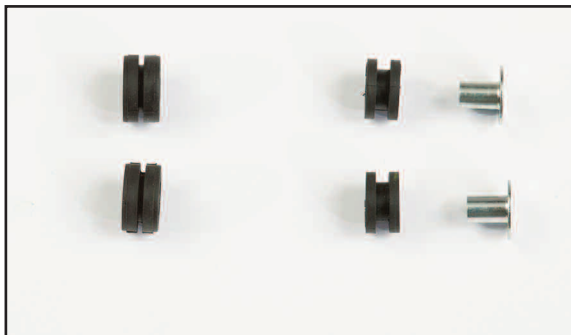
 <p>Attention: Special notes and cautionary measures which can prevent damage to the accessory or motorcycle.</p>	 <p>Note: Tips for facilitation of operation, control and adjustment, as well as maintenance work.</p>
---	--

CONTENTS OF KIT

Item	Description	Part No.	Qty.
(1)	VStream+® Windscreen		1
(2)	Bracket	37-374491-000	1
BAG#1302			
(3)	Spacer, Lower	44-443546-000	2
(4)	Washer, Flat	49-490407-000	2
(5)	Spacer, Upper	44-443542-000	2
(6)	Grommet	44-447304-000	4
(7)	Cap, Trim, Black	34-346037-000	4
(8)	Screw, Flat, M6 x 12 SS	51-514212-000	4



TOOLS REQUIRED
 10mm Wrench
 5mm Hex Wrench
 4mm Hex Wrench



Stock parts that will be replaced with parts from Bag#1302



Figure 1

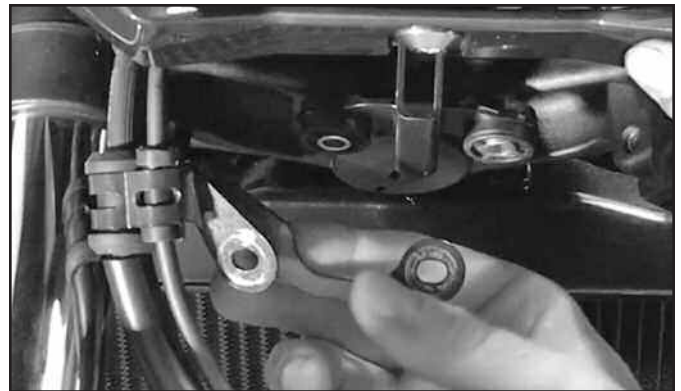


Figure 2

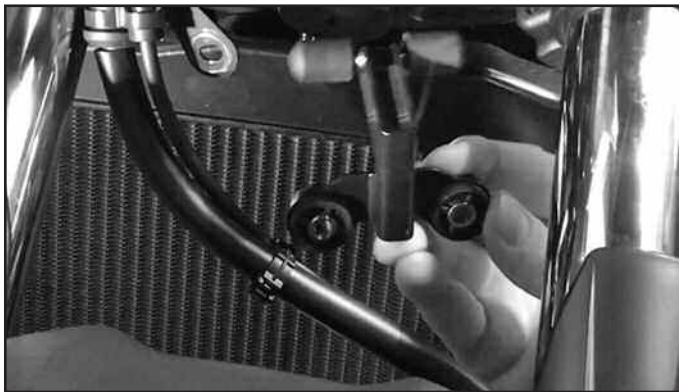


Figure 3

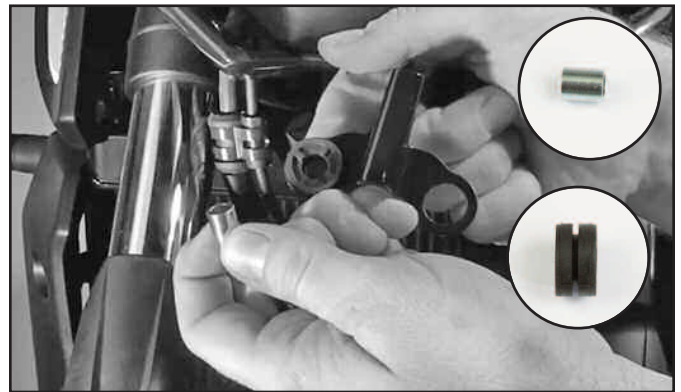


Figure 4



Figure 5



Figure 6

INSTALLATION

Installation of the National Cycle, lower dampening spacers.

1. Remove the stock bolts holding the two brake hose holder brackets. Bolts will be re-used. **Figure 1 (10mm Wrench)**
2. Move the two brake hose holder brackets aside. **Figure 2**
3. Remove the damper bracket. **Figure 3**
4. Remove the collars and rubber damper grommet. **Figure 4.**
5. Install Bushings (3) from Bag#1302. **Figure 5**
6. Reinstall damper bracket.



Figure 7

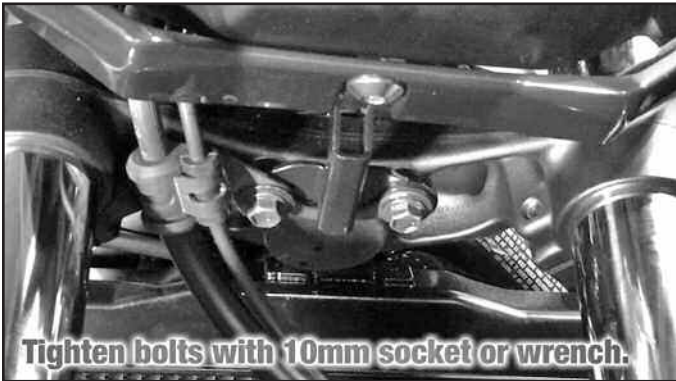


Figure 8

7. Secure the two brake hose holders back to their original positions using the original bolts and the Washers (4) from BAG#1302. **Figure 7 (10mm Wrench)**

8. Tighten screws firmly. **Do not overtighten. Do not use threadlocker. Figure 8 (10mm Wrench)**



Figure 9

INSTALLATION

Installation of the National Cycle, upper dampening spacers.

9. Remove the stock bolts from both sides of headlight assembly. **Figure 9 (5mm Hex Wrench)**

10. Remove the stock collars and grommets from both sides of headlight assembly. Parts will not be reused. **Figure 10**



Figure 10



Figure 11



Figure 12

INSTALLATION

Installation of the National Cycle, upper dampening spacers.

11. Insert Spacer Upper (5) on both sides of headlight assembly. **Figure 11**

12. Reinstall the stock bolts into the left and right side of headlight assembly. Tighten Firmly. **Figure 12 (5mm Hex Wrench)**

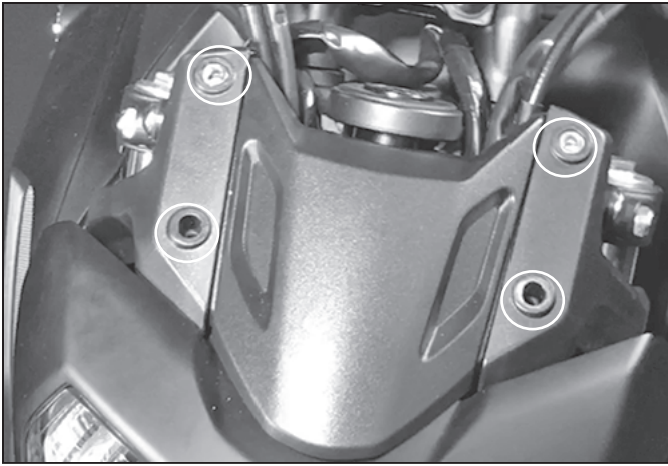


Figure 13

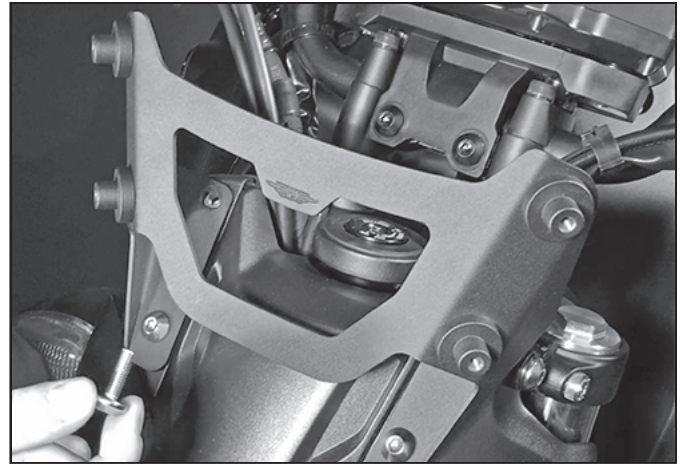


Figure 14



Tighten with long 4mm ball-end hex wrench.

Figure 15



Insert four Grommets from installation kit into Windshield mount holes.

Figure 16



Figure 17

Install Windshield Bracket

13. Remove the stock 4 bolts from front of headlight assembly. **Figure 13 (4mm Long Hex Wrench)**

 **Longer stock bolts are used in the bottom holes.**

14. Install windshield Bracket (2) onto Motorcycle starting with two long bolts in the lower holes. **(4mm Long Hex Wrench)**

15. Install the two shorter bolts into the upper holes. **Figure 14 and 15 (4mm Long Hex Wrench)**

16. Insert four Grommets (6) into Windshield mount holes. **Figure 16**

17. Make four screw assemblies using one each:

M6 Flat Screw (8)
Trim Cap (7)

18. Install windshield onto Bracket using the four screw assemblies. Tighten firmly. Do not overtighten. **Figure 17 (4mm Hex Wrench)**

Enjoy the ride.



Ask for Shield Wash™ and RainZip® at your local dealer or visit www.nationalcycle.com.

CLEANING AND MAINTENANCE

To clean the screen, wash with a clean soft cloth and plenty of warm water and, if necessary, a non-abrasive soap such as dishwashing liquid. Flannel or soft chamois make good cleaning cloths. **Paint, glue residue or grease removal:** Moisten cotton wad with naphtha or turpentine followed by a wash as above.

National Cycle **Shield Wash™** (N1401-01) makes a good daily cleaner and comes with a handy travel-size bottle. Shield Wash is safe for all windshields and helmet visors.

Do not clean polycarbonate in hot sun or high temperatures. Do not clean the screen with household glass cleaners.

Do not allow brake fluid, alcohol, or strong solvents to contact the screen.

RAIN REPELLENT

Do not use rain protective products made for glass. We recommend National Cycle's **RainZip®** (N1410-01) to keep your windshield clear in rainy weather.

VStream® Windscreen Patent no. 7,387,328



Register Your Windshield Online at www.nationalcycle.com

National Cycle 3-Year Limited Warranty

National Cycle hereby warrants to the original registered owner of a National Cycle polycarbonate windshield for a period of three years from the date of purchase against breakage. This limited warranty is expressly limited to the replacement of the polycarbonate windscreen. This limited warranty does not include scratches, coating failure, cosmetic wear and tear, replacement of hardware, or any consequential damages or expenses including labor cost of installation, removal and/or replacement, inconvenience, inbound freight expenses or damage to any other component of the motorcycle or any other accessories. Certain chemicals, generally known as acidic hydrocarbons, are known to cause polycarbonate damage and will not be covered under this limited warranty. Please refer to the cleaning instructions supplied with all National Cycle windshields.

Visit www.nationalcycle.com for further details or call or write National Cycle

⚠ WARNING

Never ride your motorcycle with loose accessory mounting hardware. Check the hardware for tightness regularly.

Today's motorcycles are built with enough frame rigidity to withstand the moderate loads imposed on them by the foreseeable addition of an accessory(ies). If an accessory(ies) adversely affects your motorcycle's stability, immediately remove the accessory(ies). Do not ride a motorcycle that exhibits unsafe handling traits.

Have experienced service personnel correct any problem before riding with the accessory(ies) installed. For further questions concerning handling problems associated with an accessory(ies), contact your dealer, motorcycle manufacturer, or accessory manufacturer.

Sunlight reflected off the inside curvature of the windshield can, at certain times of the day, cause extreme heat buildup on the motorcycle's instruments and possibly even melt them. Exercise care in parking to avoid this. Park your motorcycle facing the sun, or place an opaque object over the instruments and dash panel.